

USER MANUAL

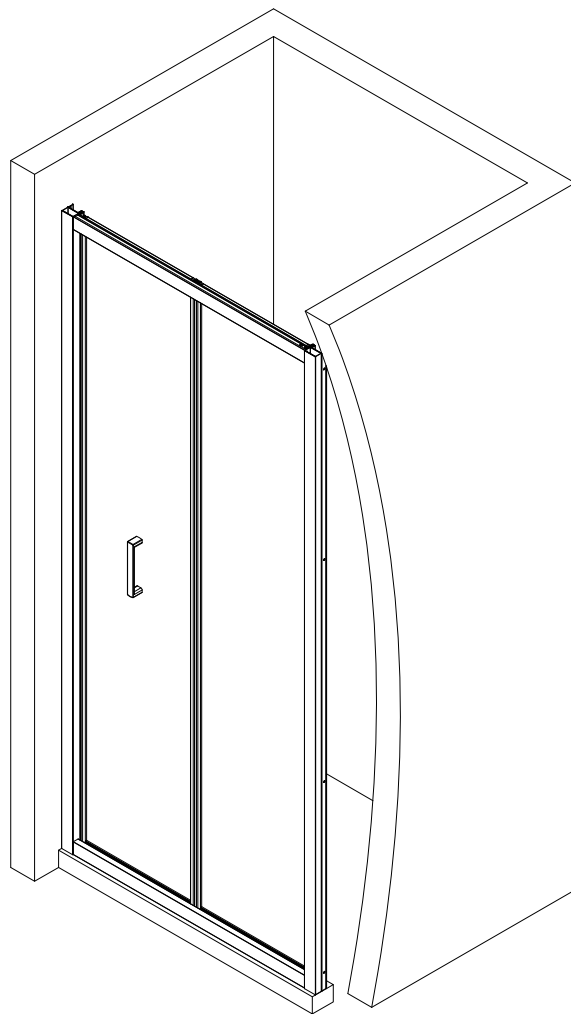


Thank you for choosing Better Bathrooms.
Please read this manual before installing your product
and keep for future reference.

**better
bathrooms**

Lyra 4mm Bifold Door

LYRBFCH800 / LYRBFCH900



- **Multi-person assembly**
- **Tools required**
- **We always recommend using professional tradespeople to install your product**

V1_20.12.23

Congratulations on your purchase

And welcome to our growing gang of savvy shoppers

We're on a mission to bring you extraordinary bathroom products, for less. From modern to traditional style ceramics, plus the gorgeous fixtures, fittings and furniture to match. So, you can fall in love with your space every single day.

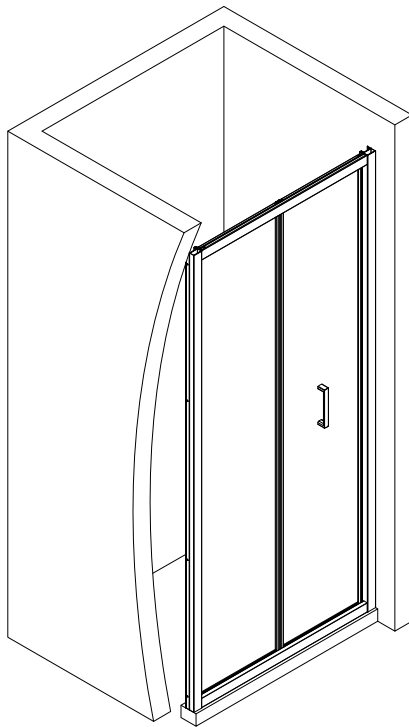
As one of the UK's largest independent bathroom stores, we've received countless awards; including the National Business Awards UK, the Digital Entrepreneur Awards and being placed on The Sunday Times Fast Track 100.

We hope your new product goes above and beyond your expectations. However, should any problems occur, please:

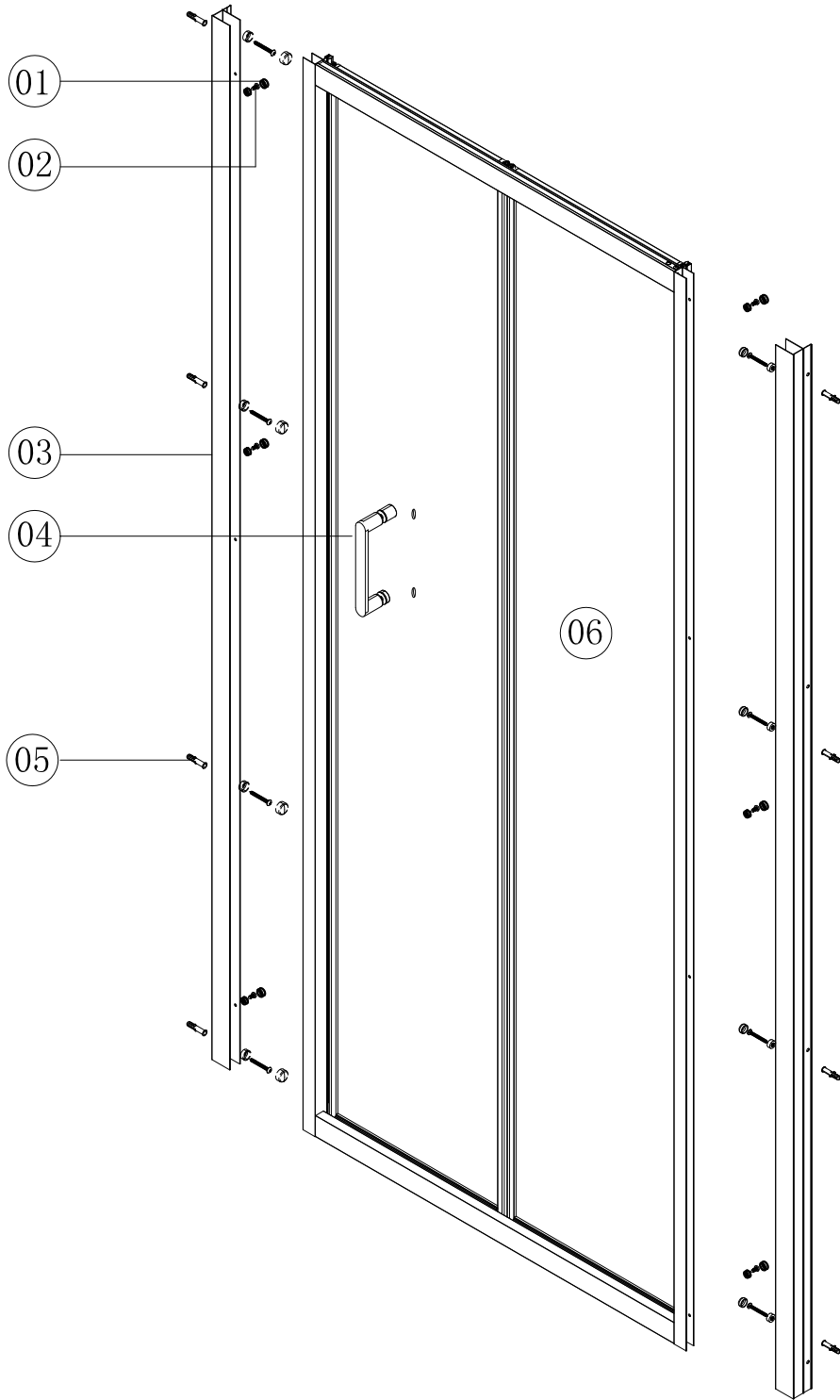
- log in to your account and contact our customer services team via your self-serve portal – betterbathrooms.com/Account/Login
- contact us via betterbathrooms.com/content/contact-us

Important information



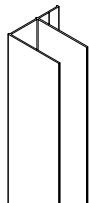
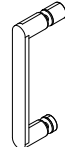
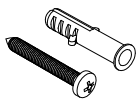
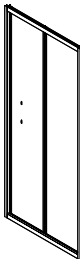
- Please read these instructions thoroughly and retain for future reference
- Always check for pipes and cables before drilling
- Check for damage prior to installation as reporting after installation is not covered



Technical Drawing

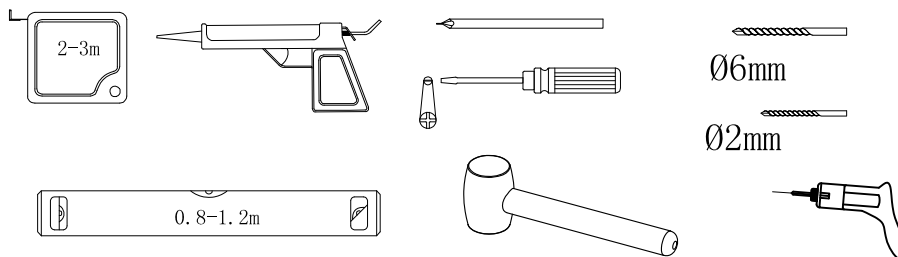


Component Listing

01  14Pcs	02  ST3.5*9 6Pcs	03  2Pcs	04  1Pc	05  ST4.2*35 8Pcs	06  1Pc
--	--	---	--	---	--

Safety Notice:

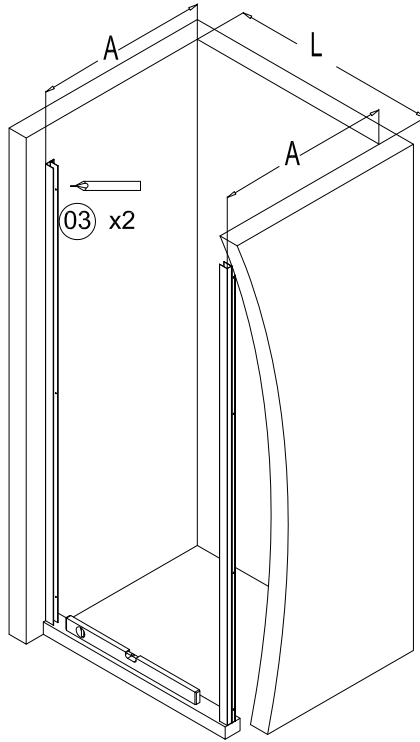
Prior to drilling into walls, check there are no hidden electrical wires, cables or water supply pipes. Always wear protective equipment such as safety glasses and hearing protection whilst using power tools.



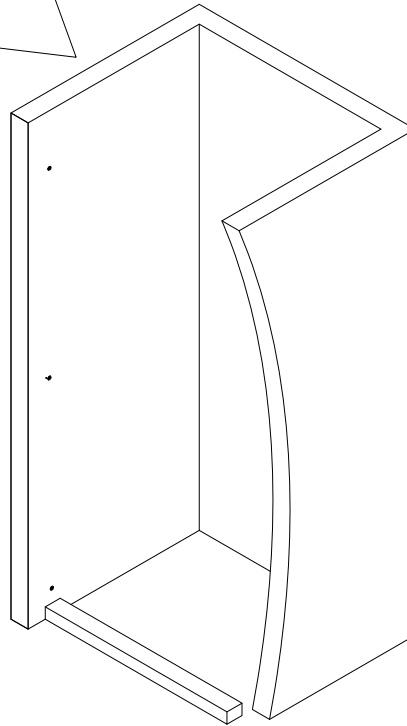
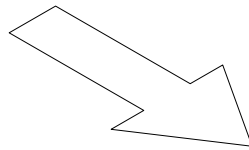
Installation Instructions

1.

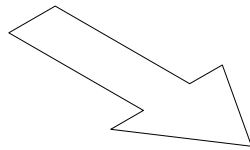
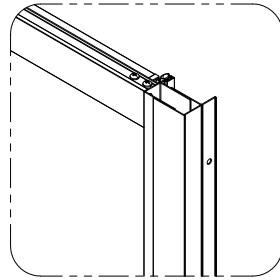
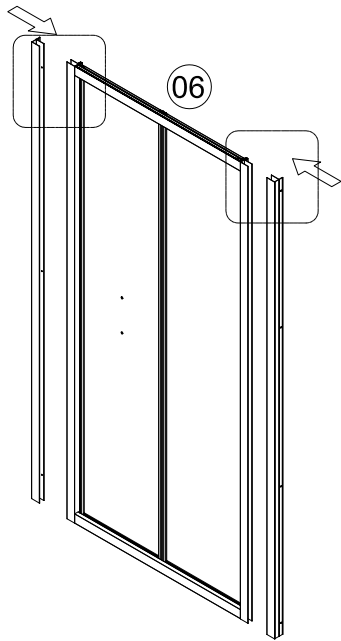
	L
800	750-790
900	850-890



1-1	⓪3 x2
1-2	Ø6x40mm
1-3	⓪5 x8

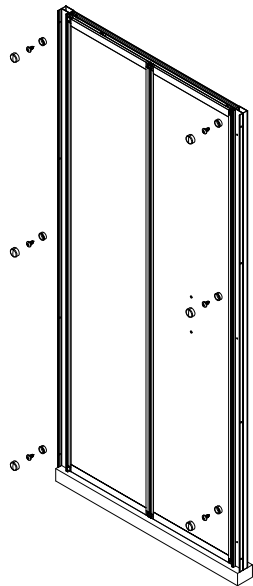


2.

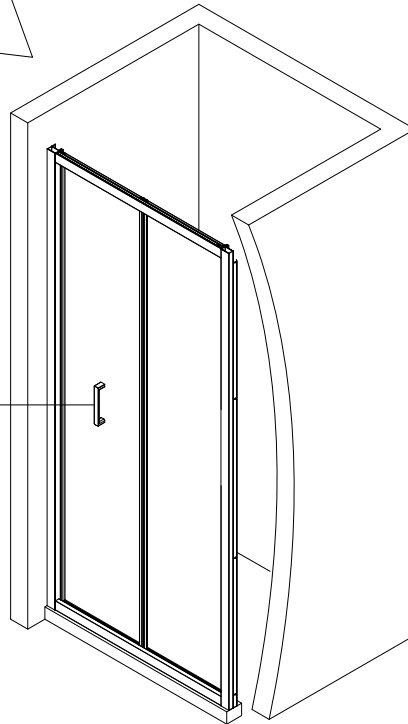
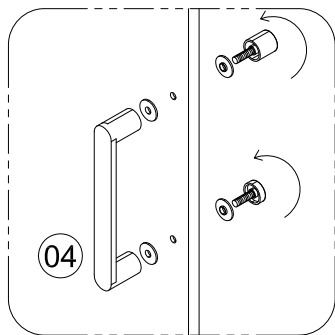
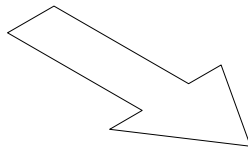


2-1	 05 x8
2-2	 01 x8
2-3	

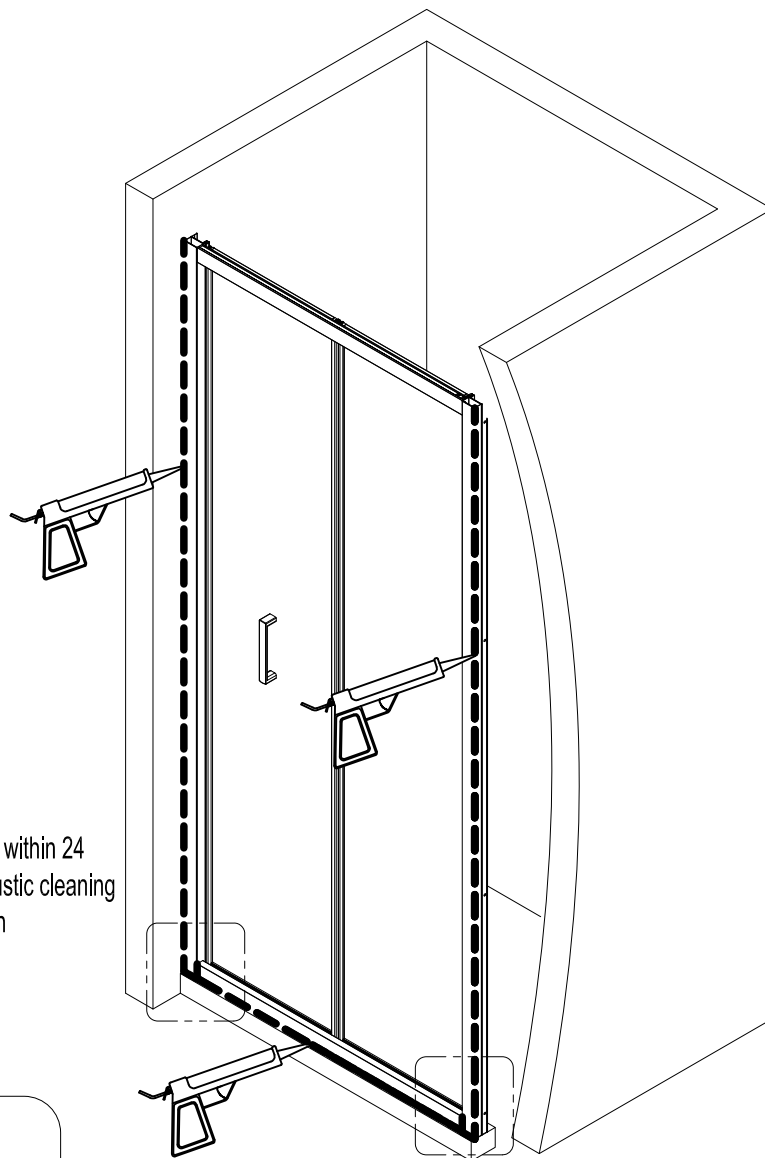
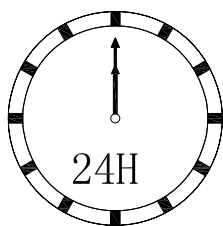
3.



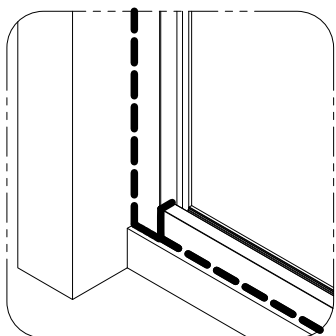
3-1	<p>Ø2mm 0-20mm</p>
3-2	<p>02 x6</p>
3-3	<p>01 x6</p>
3-4	



4.



Care Instructions:
Do not use your shower enclosure within 24 hours of assembly. Do not use caustic cleaning products or abrasive material when cleaning your shower enclosure .



Cleaning

All parts of the product shall be cleaned with a cloth soaked in neutral detergent soapy water, Please do not use sharp tools such as blades to clean the shower door.

Please do not use strong detergent, alcohol or any abrasive cleaning substances to clean the shower door if the stain is serious, a low concentration of vinegar can be used, but must be rinsed with clean water afterwards.

For more information

- visit betterbathrooms.com
- email customerservices@buyitdirect.co.uk
- call 0330 390 3062
- write to Trident Business Park, Neptune Way, Huddersfield, HD2 1UA

**better
bathrooms** 

Part of the BuyItDirect Group